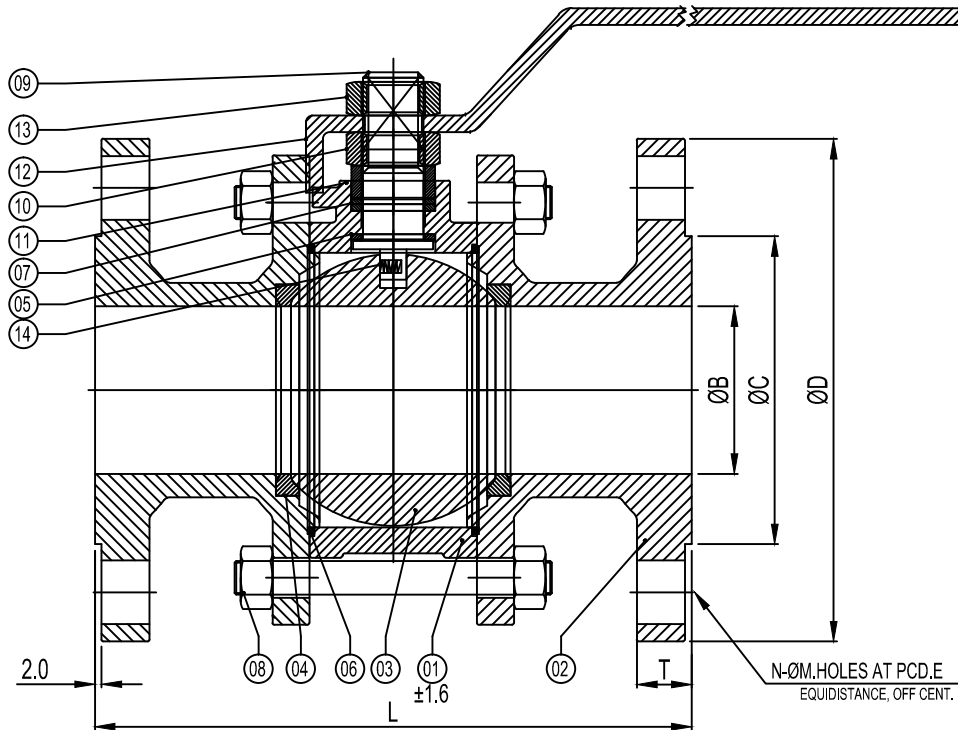


TEST CODE	BS 6755 PART : I / API 598
END	AS PER FL.END B16.5/150#
FACE TO FACE DIMENSIONS	AS PER B16.10
DESIGN CODE	BS 5351
DESIGN SPECIFICATION	

32	22	07
BODY TEST	SEAT TEST	AIR TEST
TESTING (KG / CM) ²		

14	ANTISTATIC	SS	SS	SS
13	NUT	SS	SS	SS
12	HANDLE	CS	CS	CS
11	GLAND BUSH	SS 410	SS 304	SS 316
10	GLAND NUT	AISI 410	AISI 304	AISI 316
09	SETM	AISI 410	AISI 304	AISI 316
08	STUD & NUT	ASTM A 193 Gr.B7/2H	ASTM A 193 Gr.B8/8	ASTM A 193 Gr.B8/8M
07	GLAND PACKING	PTFE	PTFE	PTFE
06	BODY GASKET	PTFE	PTFE	PTFE
05	STEM RING	PTFE	PTFE	PTFE
04	SEAT	PTFE	PTFE	PTFE
03	BALL	SS 304	SS 304	SS 316
02	SIDE PIECE	ASTM A 216 Gr. WCB	ASTM A 351 Gr. CF8	ASTM A 351 Gr. CF8M
01	BODY	ASTM A 216 Gr. WCB	ASTM A 351 Gr. CF8	ASTM A 351 Gr. CF8M
SR.NO.	PARTS NAME	WCB	S.S.304	S.S.316

CLASS	150#						
SIZE	L	ØB	ØC	ØD	T	E-PCD	N x ØM
15MM	108	12.5	34.9	90	10	60.5	4 x 16
20MM	118	18	42.9	100	10.4	70	4 x 16
25MM	127	25	50.8	110	11.6	79.5	4 x 16
40MM	165	38	73	125	14.6	98.5	4 x 16



MULTITECH ENGINEERING

L-82, G.I.D.C. Estate, Nr. Water tank Odhav AHMEDABAD - 382415

DRN. : VASUDEV

2WAY 3PC BALL VALVE 150#

CHD. :

FL. END ASA 15MM TO 40MM

APD. :

PRESSURE RATING - ANSI 150 #

SCALE : NTS

DATE :

DRG.NO.:- BLV / 150 / 15-40 / GA.